



PRODUCT PERFORMANCE

- Universal application from 1 - 96-fold
- Installation - Ø 6, 7, 12mm
- Lengths from 100 - 350mm
- Melt diameter 4,5-8mm
- Mold diameter 11, 13, 20mm
- Needle diameter 2,5mm
- Shot weights of 0,02g - 5kg
- Cavity space from 28mm

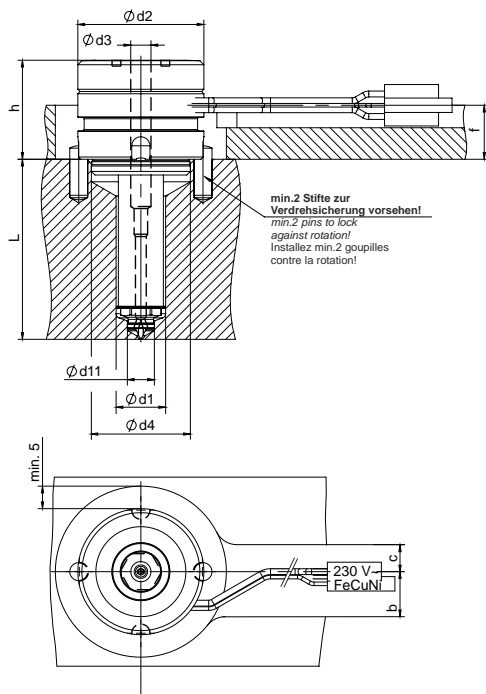


X-Slim® Line

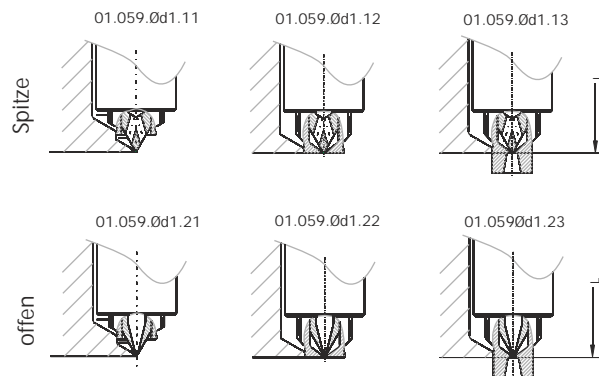
Reduced energy demand of 25%

APPLICATION AREA:

- Nozzle with 3 different diameters
- Every diameter 3 standard lengths
- Suitable for nearly every material
- Optimal thermal profil
- Appropriate tip profile for any application in the packaging industry and for medical or technical applications
- Open solutions with gate bushing
- Easy to maintain as the single components as like as sealing and tips can be changed separately



6 Spitzenvarianten:



Typ	d2	d1	d3	d4	d11	h	L	f	b	c
01.059.11.	28	11	4,5	22	6	22	100 - 350	12	10	6
01.059.13.	28	13	6	22	7	22	100 - 350	12	10	6
01.059.20.	32	20	8	26	12	22	100 - 350	12	20	6

PRACTICAL EXAMPLES

