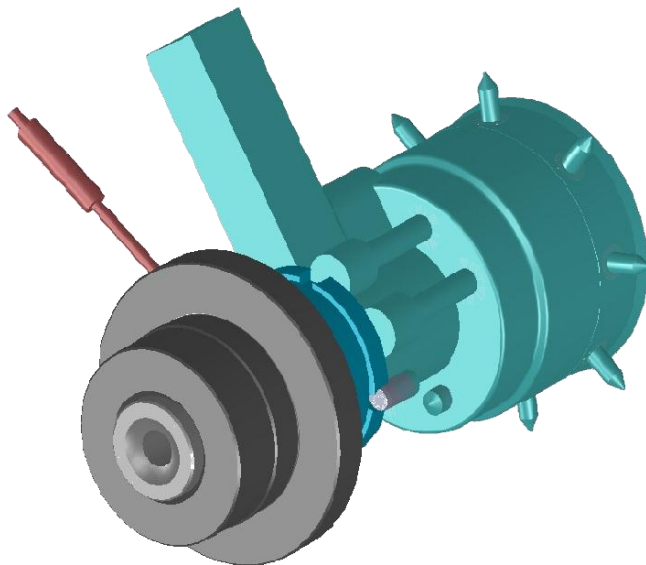


Star Line Edge Gate Nozzles



Drug Reconstitution Device

Photo Courtesy of Duoject
Medical Systems Inc.



Material: P.P.
Cavitation: 8
Cycle Time: 13 seconds

“We needed an edge gate solution to eliminate the cold runner with no cold slugs, dust or strings. We are very pleased with the outcome. The hot runner components are easy to assemble and the gate quality is excellent”

Manfred Breuner, Project Manager, Kamek Precision Tools Inc